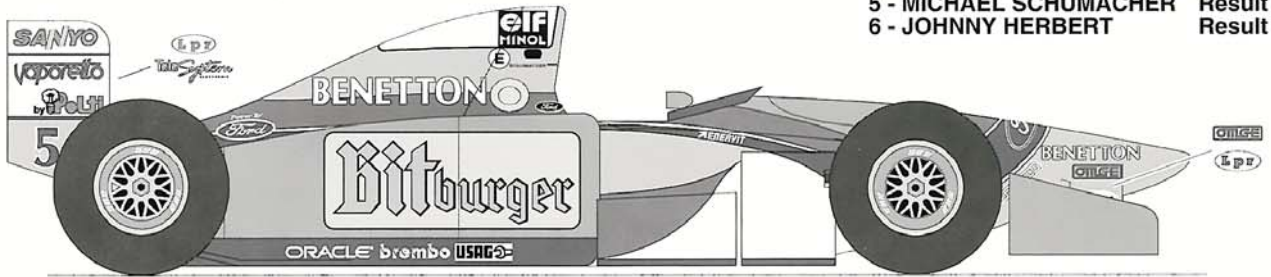
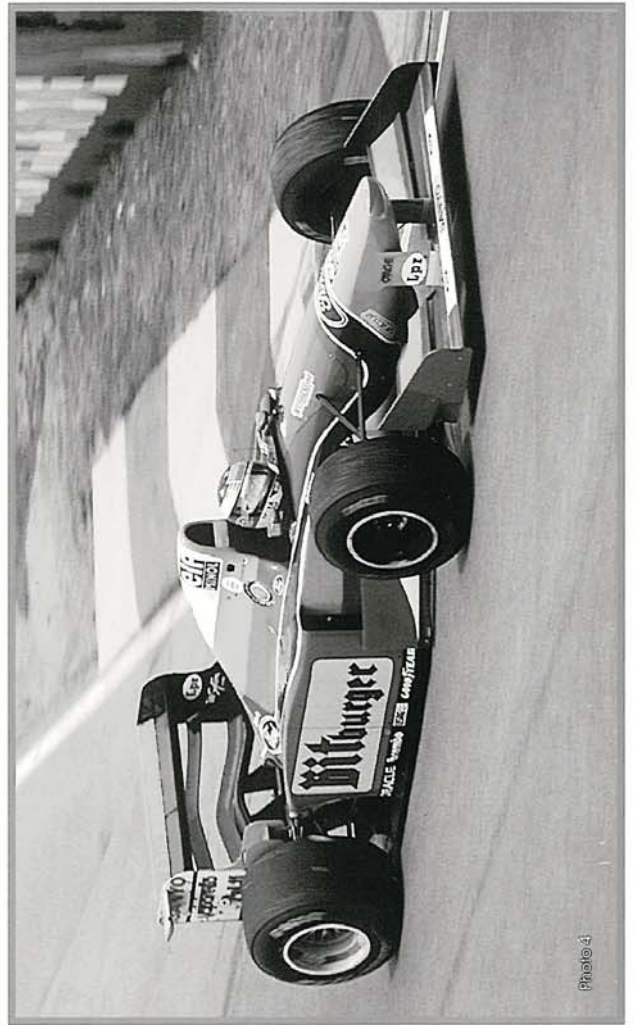
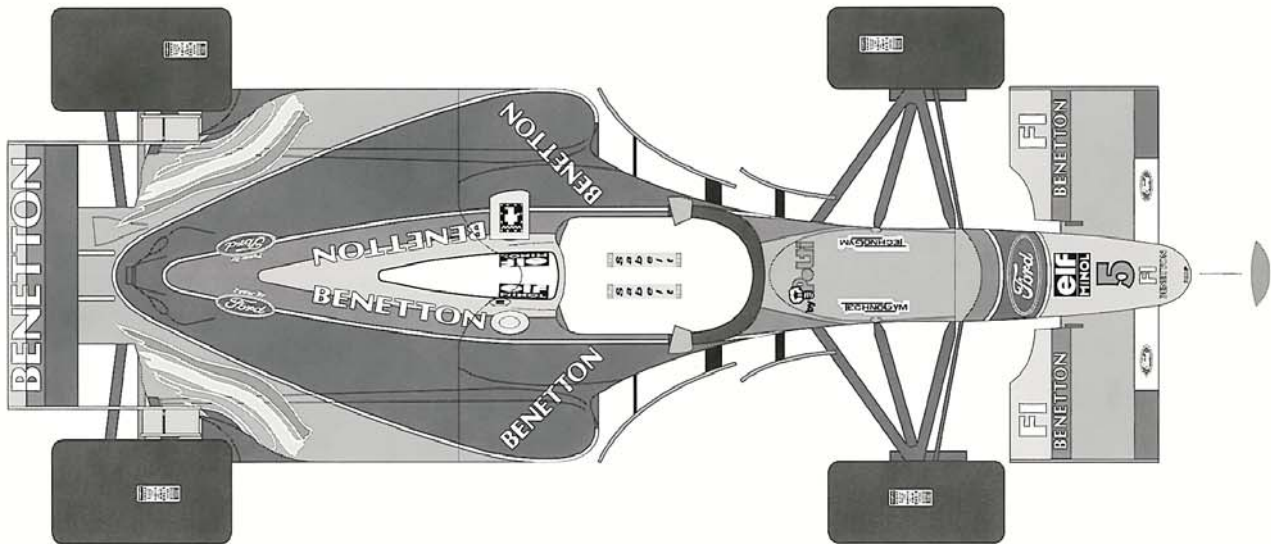


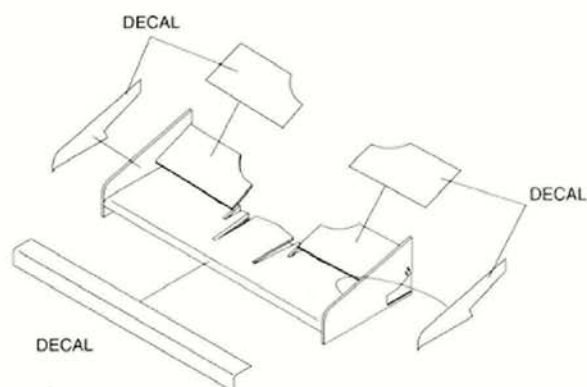
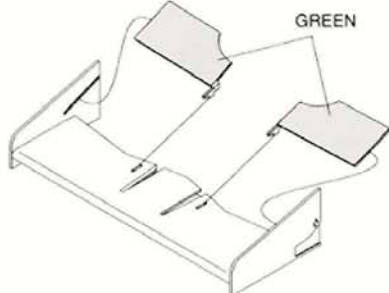
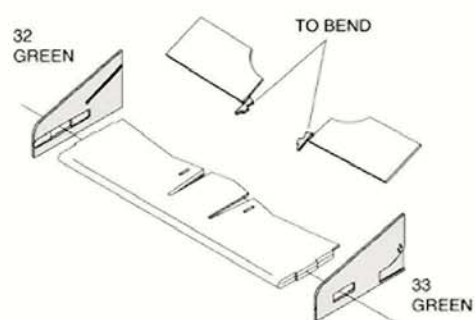
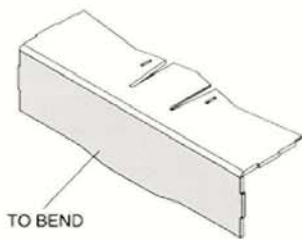
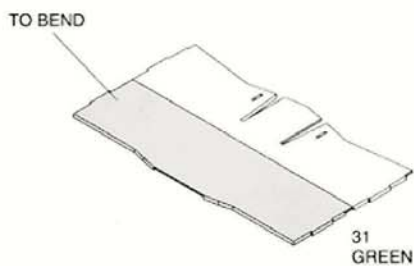
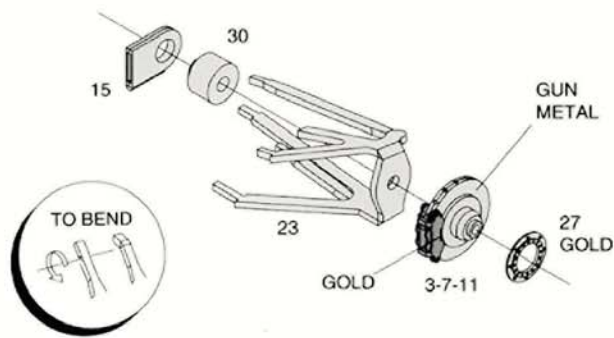
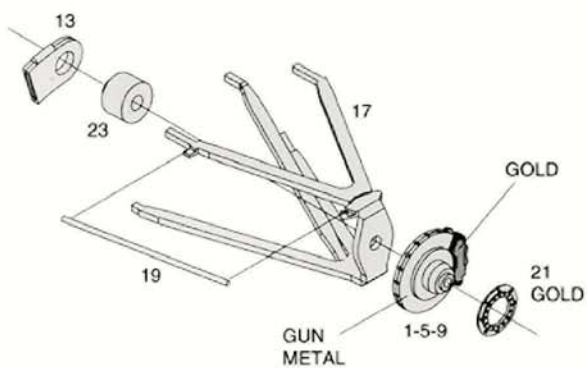
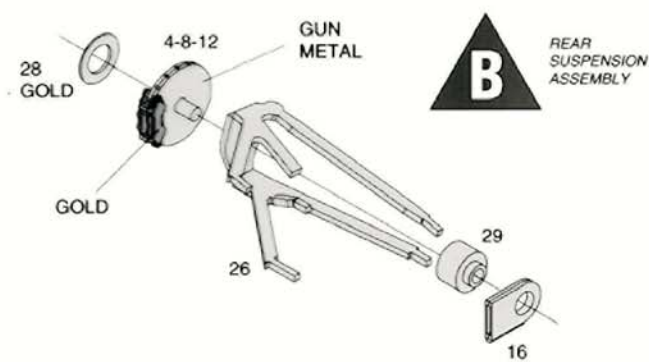
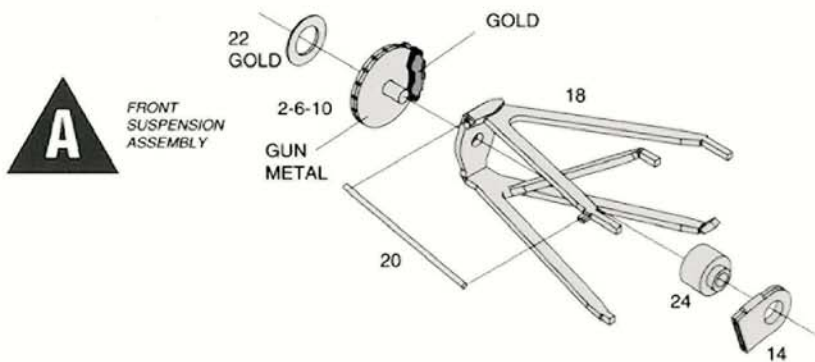
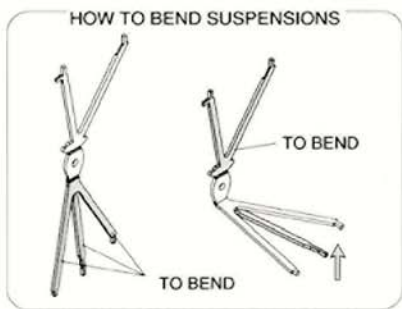
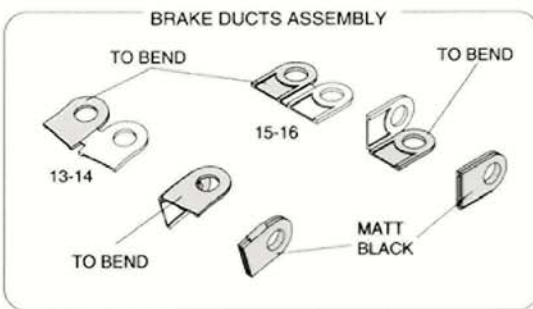
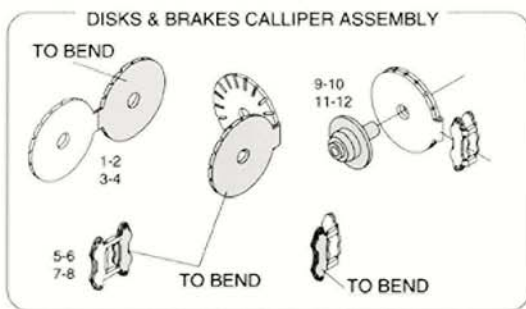


**BENETTON B194**  
 Manufactured under license from  
 "BENETTON FORMULA LTD"  
**AUSTRALIAN G.P. 1994**

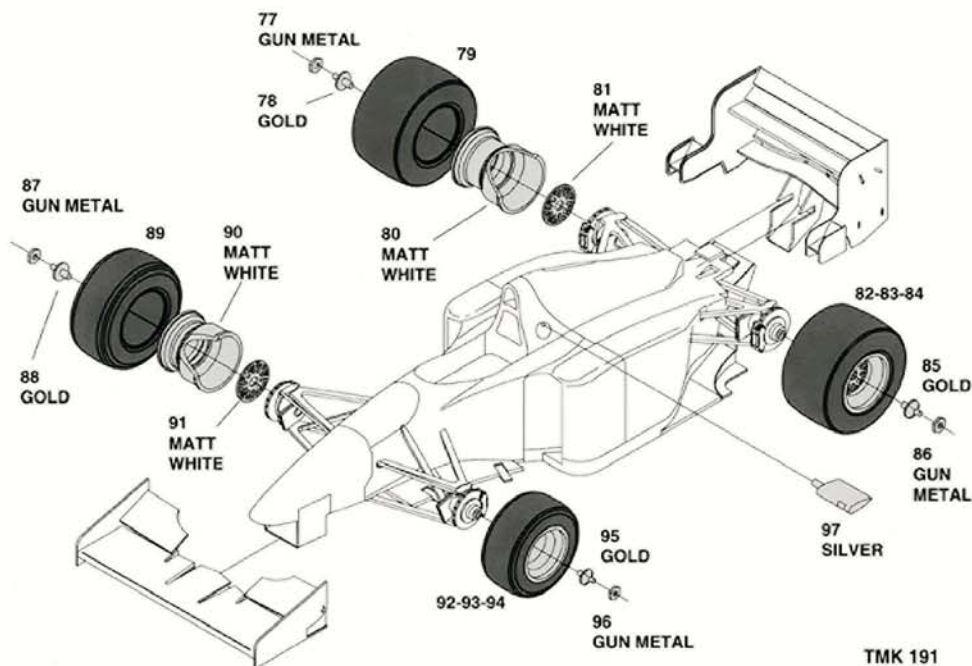
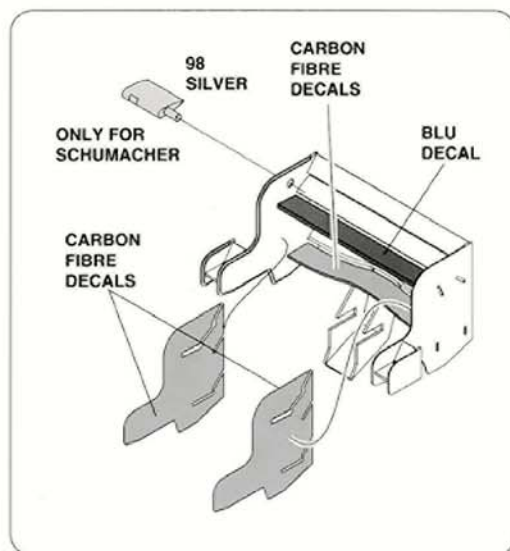
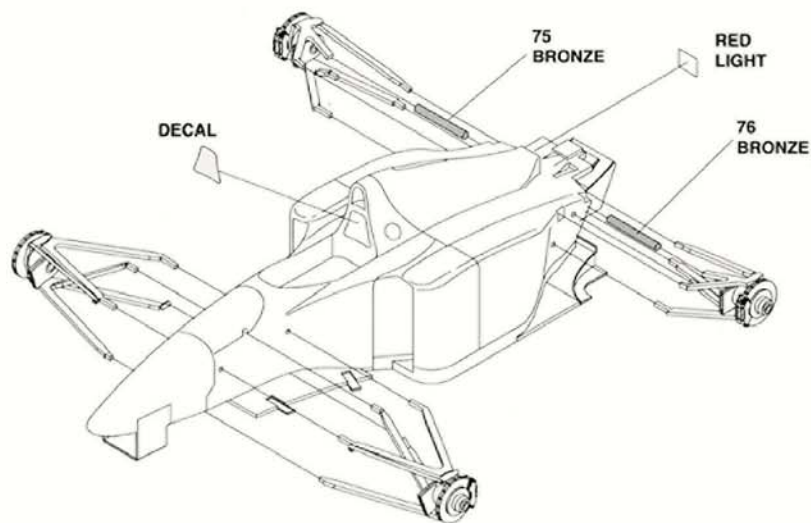
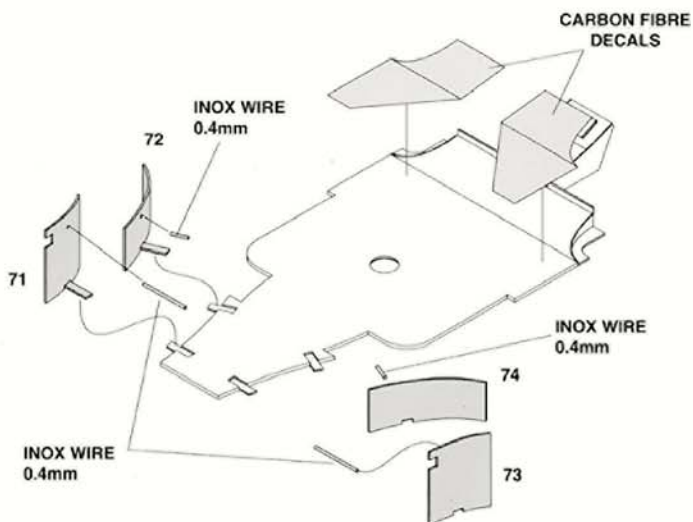
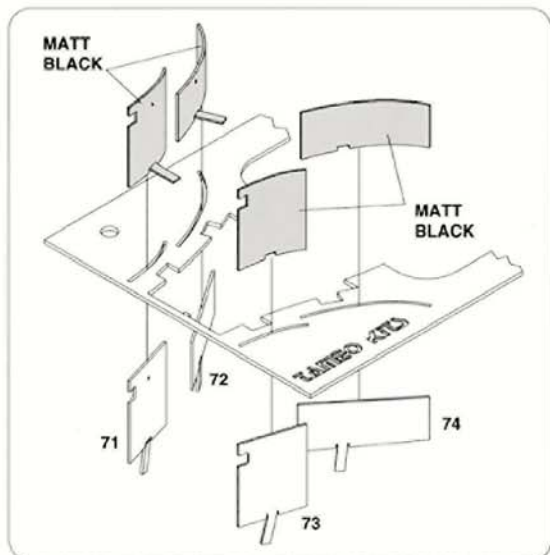


**5 - MICHAEL SCHUMACHER** Result Ret.  
**6 - JOHNNY HERBERT** Result Ret.









TMK 191

**TAMEO KITS** srl

Via Valle, 111 - P.O. Box 61  
17022 BORGIO VEREZZI SV ITALY  
Tel. 39 019 - 615.250 Fax. 39 019 - 615.310

website [www.tameokits.com](http://www.tameokits.com)

e-mail [sales@tameokits.com](mailto:sales@tameokits.com)

e-mail [technical@tameokits.com](mailto:technical@tameokits.com)

Made in Italy. Modello per collezionisti in scala 1/43. Vietata la vendita ai minori di 14 anni. Nocivo per ingestione. Conservare fuori dalla portata dei bambini. Tameo Kits declina ogni responsabilità per un uso improprio del prodotto.

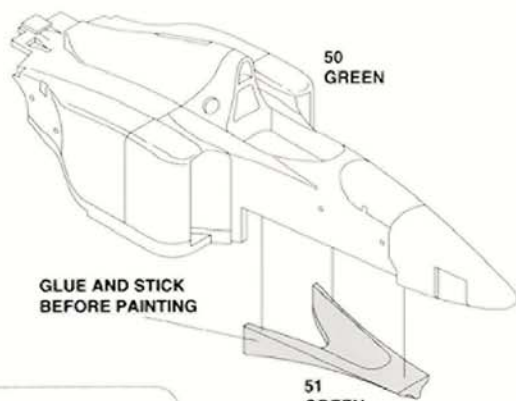
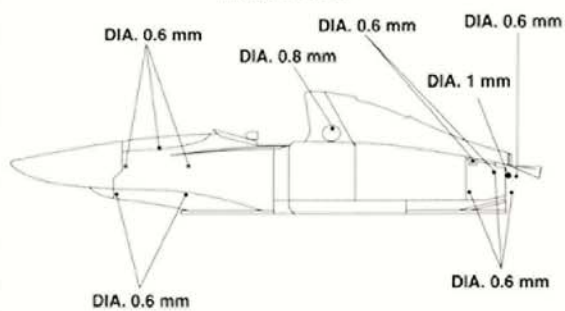
Made in Italy. Collector 1/43 Scale Models. Not for sale to persons under 14 years of age. Dangerous if swallowed. Keep out of reach of children. Tameo Kits not held responsible for any damage or injury resulting from improper use of the product.

Made in Italy. Modèle pour collectionneurs échelle 1/43. Vente interdite aux enfants de moins de 14 ans. Dangereux si avalé. Conserver hors de la portée des enfants. Tameo Kits décline toute responsabilité dans le cas de dommages dérivants de l'usage non approprié du produit.

Made in Italy. Sammlermodell im Massstab 1/43. Verkauf an Jugendliche unter 14 Jahren verboten. Schädlich bei Verschlucken. Tameo Kits lehnt jede Verantwortung bei unsachgemässer Benutzung des Produktes ab.

Hecho en Italia. Colección de modelos a escala 1/43. Prohibida la venta a menores de 14 años. No comestible. Mantener fuera del alcance de los niños. Tameo Kits no se hace responsable de los daños causados por el uso incorrecto de este producto.

HOW TO HOLE

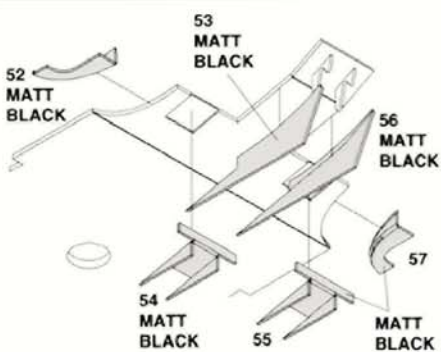
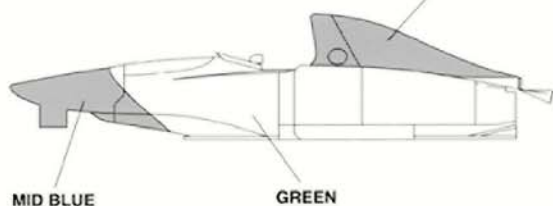


GLUE AND STICK BEFORE PAINTING

51 GREEN

REFERENCES COLOURS:  
GREEN: DUPLI FIAT 369  
MID BLUE: DUPLI FORD LIGHT BLUE

MID BLUE



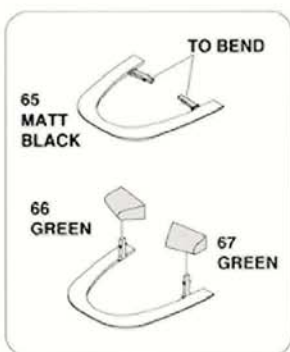
TO BEND

54-55

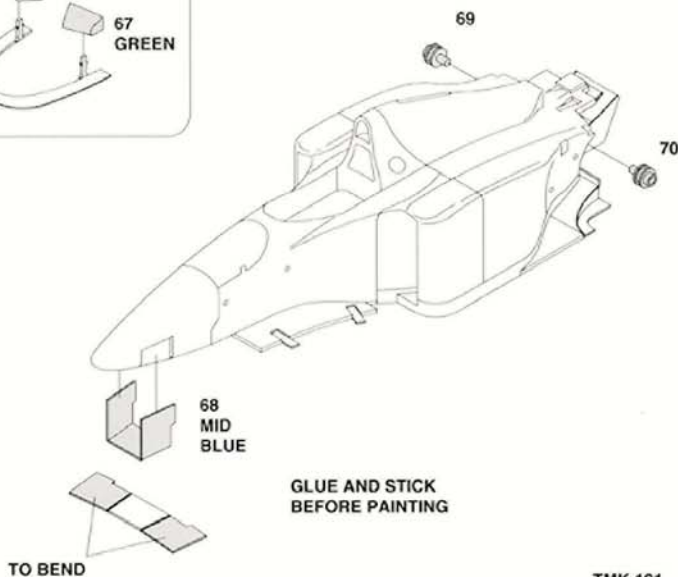
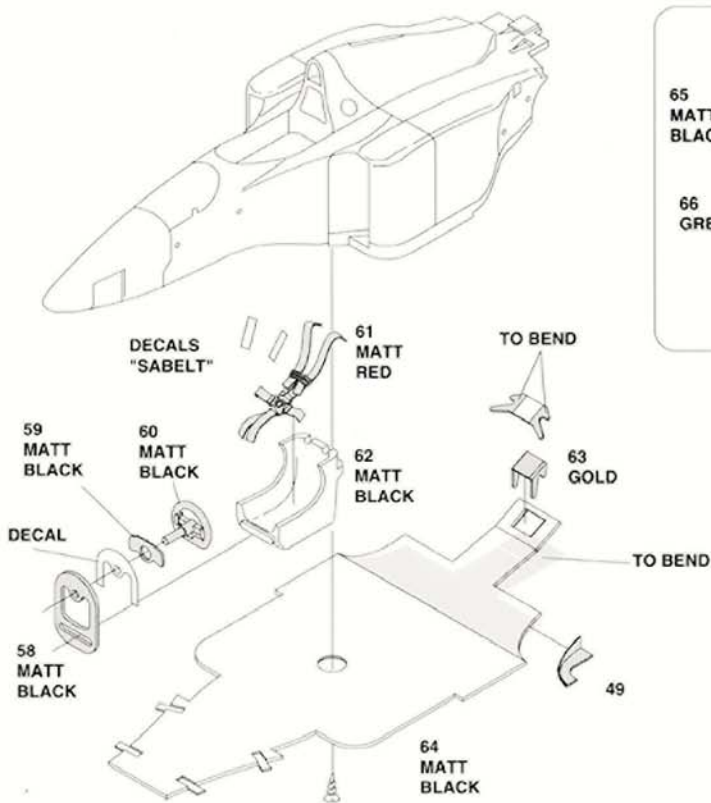
TO BEND

TO ROUND

52-57



TO BEND



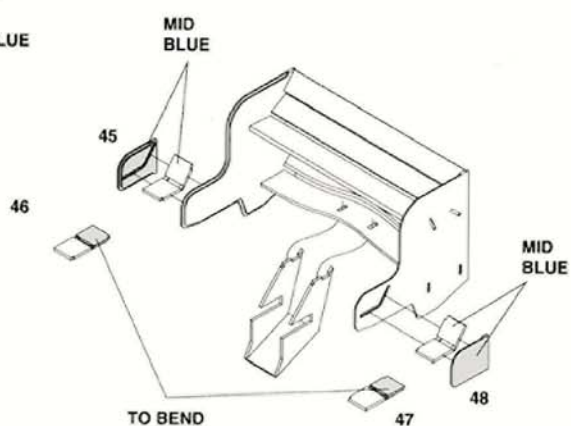
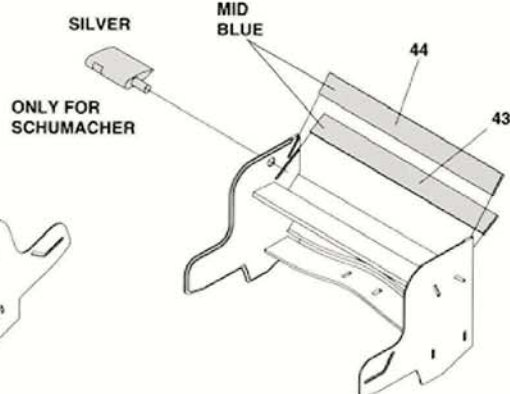
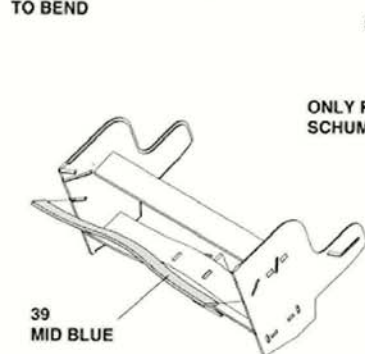
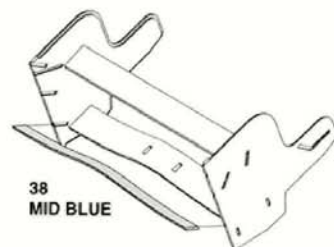
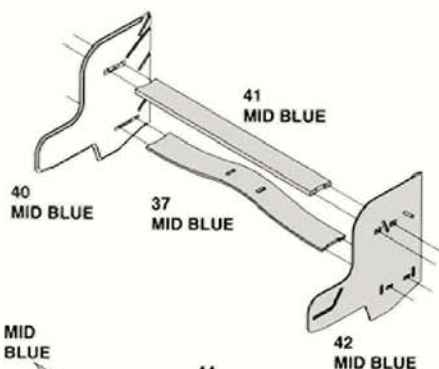
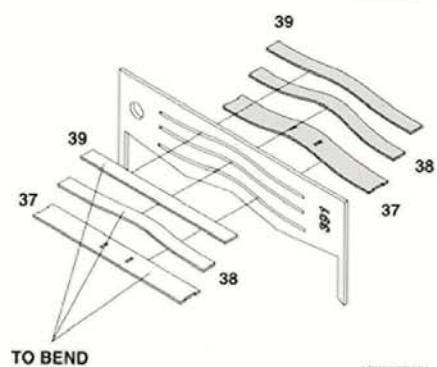
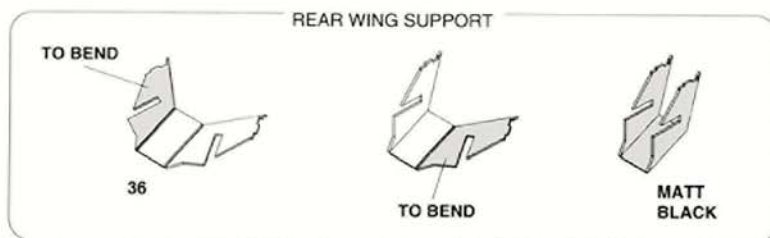
TMK 191







# REAR WING ASSEMBLY



TMK 191

## PHOTOETCHEDS

